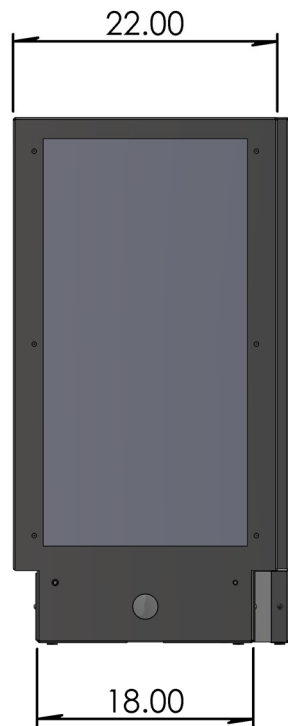
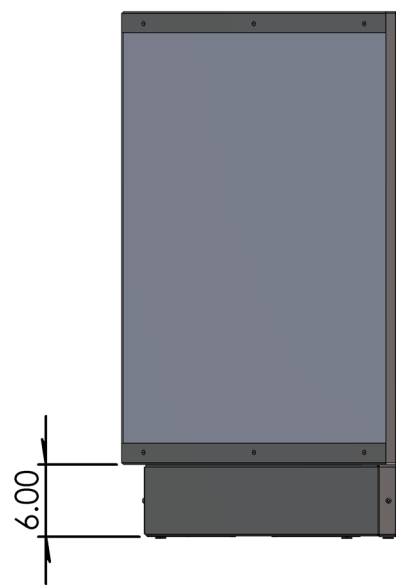
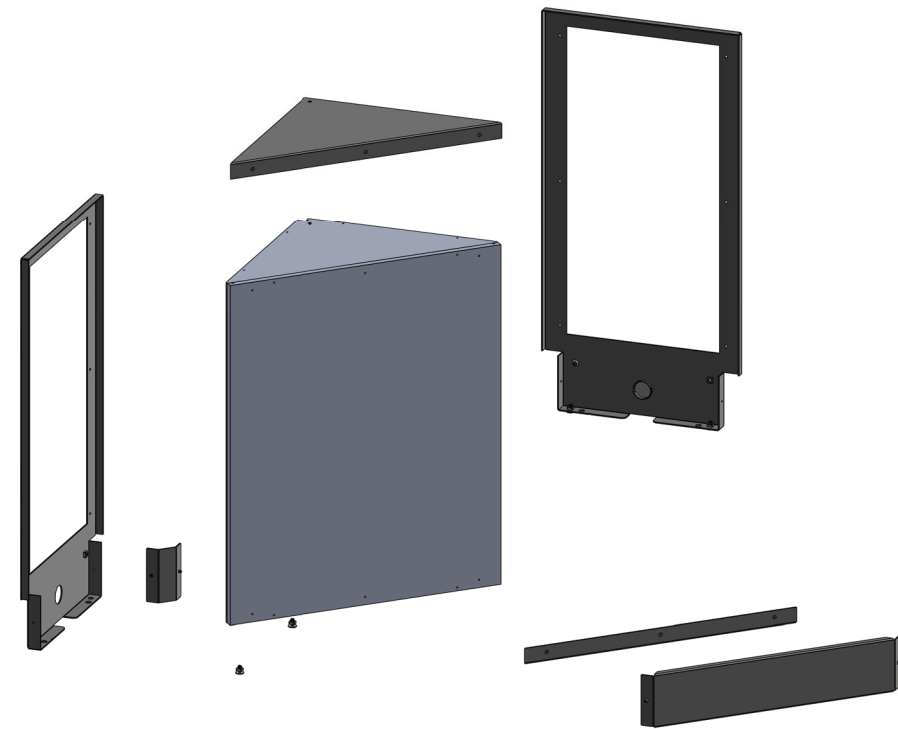
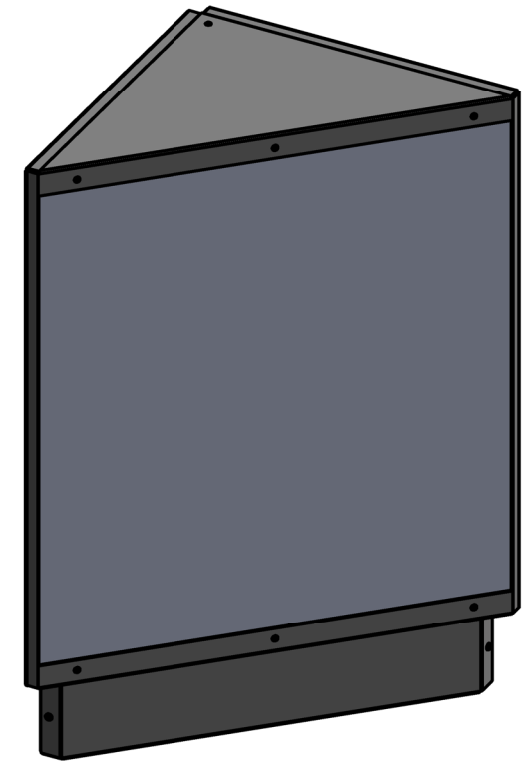
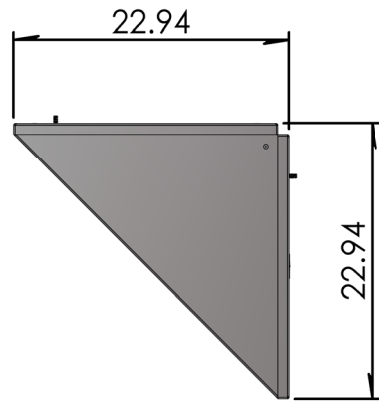


- 11g steel frame
- powder coated millennium black
- removable toe kicks
- lines up with high security displays
- 110 pounds



HOFFMAN MFG CORP  
 HS-22 Corner Counter  
 Sheet1

**PROPRIETARY AND CONFIDENTIAL**  
 THE INFORMATION CONTAINED IN THIS  
 DRAWING IS THE SOLE PROPERTY OF  
 HOFFMAN MANUFACTURING CORP. ANY  
 REPRODUCTION IN PART OR AS A WHOLE  
 WITHOUT THE WRITTEN PERMISSION OF  
 HOFFMAN MANUFACTURING CORP IS  
 PROHIBITED.

SIZE <b>B</b>	DWG. NO.	REV
SCALE: 1:16	WEIGHT:	SHEET 1 OF 11