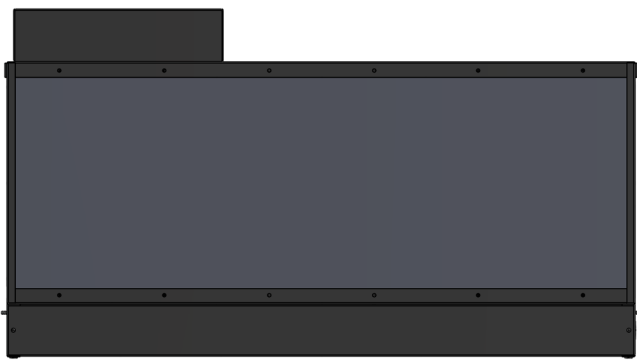
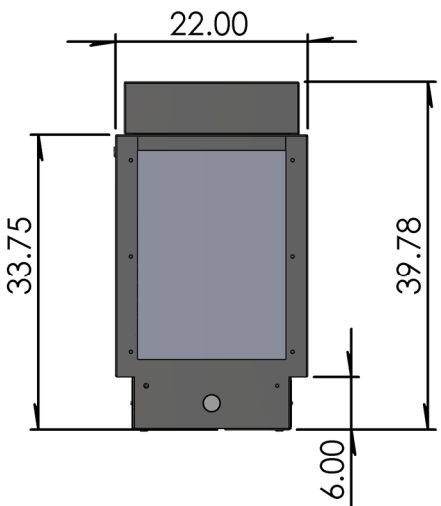
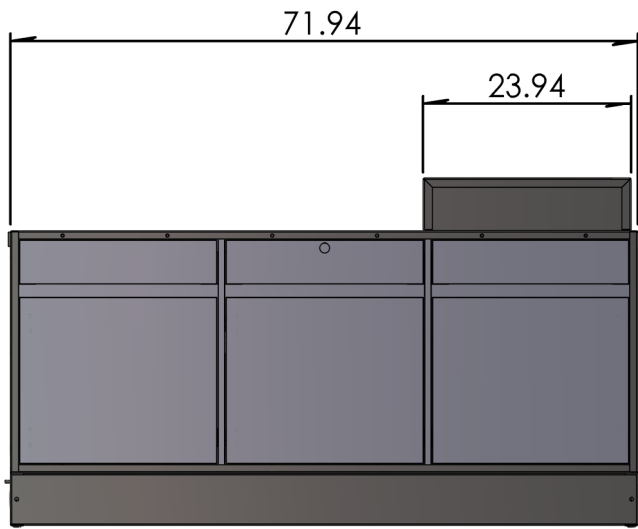
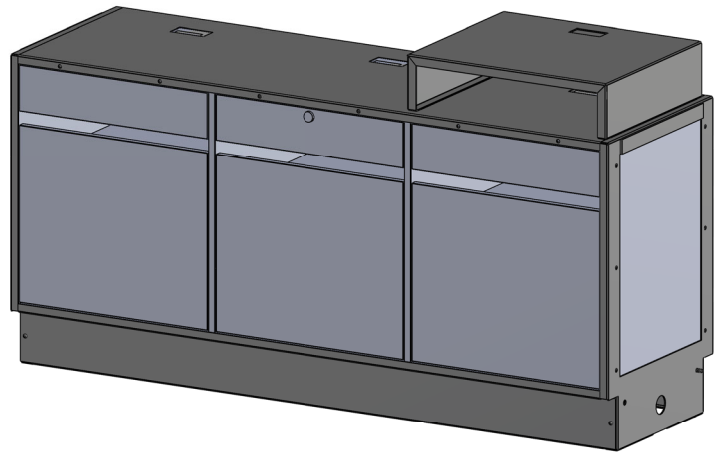
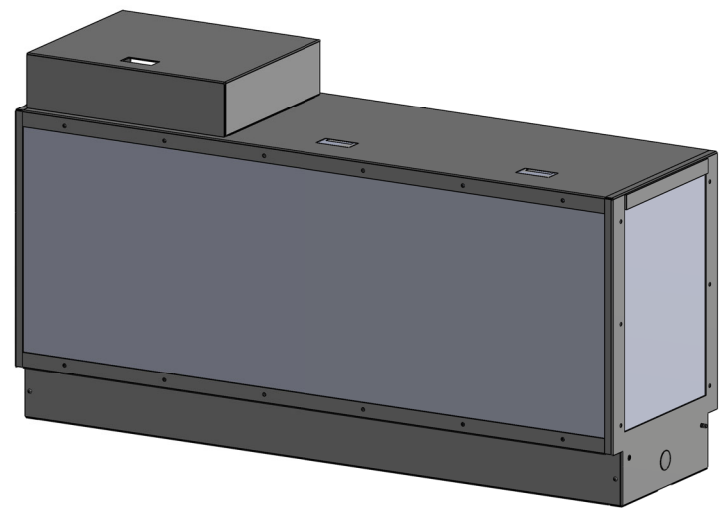


- levelers and fastening holes in base
- kick covers are removable
- steel is powder coated millennium black
- 3 drawers and 3 doors customizable
- counter top riser can be placed anywhere
- 384 pounds



HOFFMAN MFG CORP  
 HS-25 Customer Service  
 Counter  
 Sheet1

**PROPRIETARY AND CONFIDENTIAL**  
 THE INFORMATION CONTAINED IN THIS  
 DRAWING IS THE SOLE PROPERTY OF  
 HOFFMAN MANUFACTURING CORP. ANY  
 REPRODUCTION IN PART OR AS A WHOLE  
 WITHOUT THE WRITTEN PERMISSION OF  
 HOFFMAN MANUFACTURING CORP IS  
 PROHIBITED.

SIZE <b>B</b>	DWG. NO.	REV
SCALE: 1:22	WEIGHT:	SHEET 1 OF 22